



KUGELDREHVERBINDUNG
BALL BEARING SLEWING GEAR

BILDТАFEL
PICTORIAL DISPLAY
ILLUSTRATION

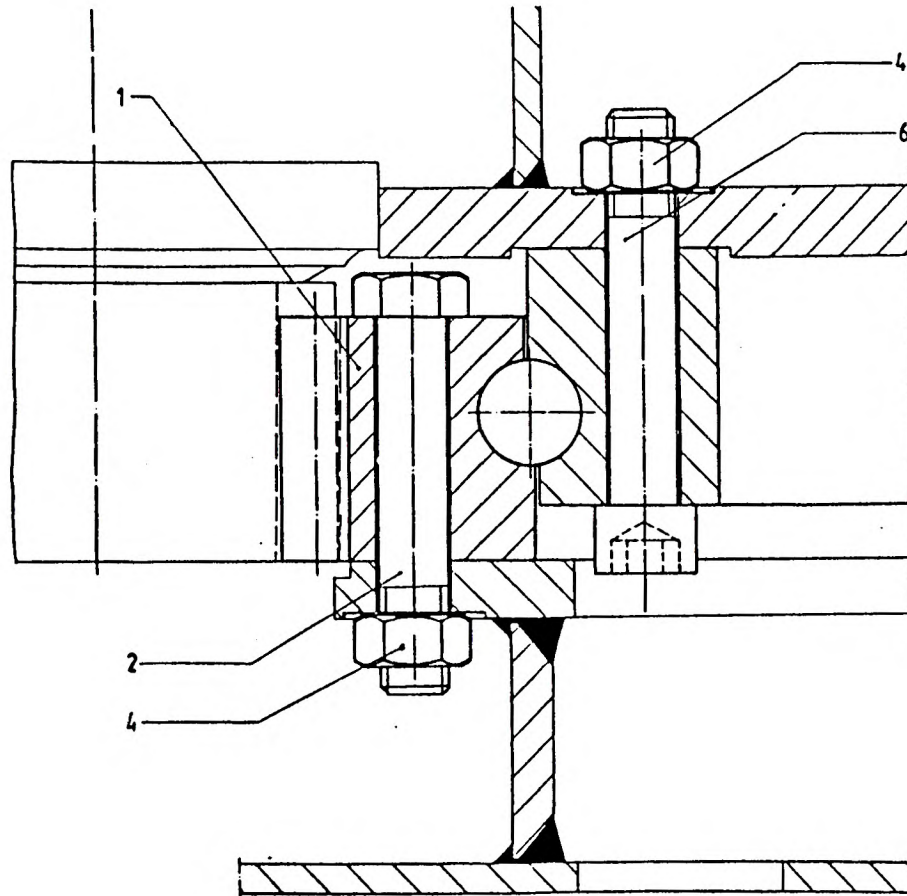
KMK 2025

05.91

1901517-ETL

1/1

G 270



558 Nm